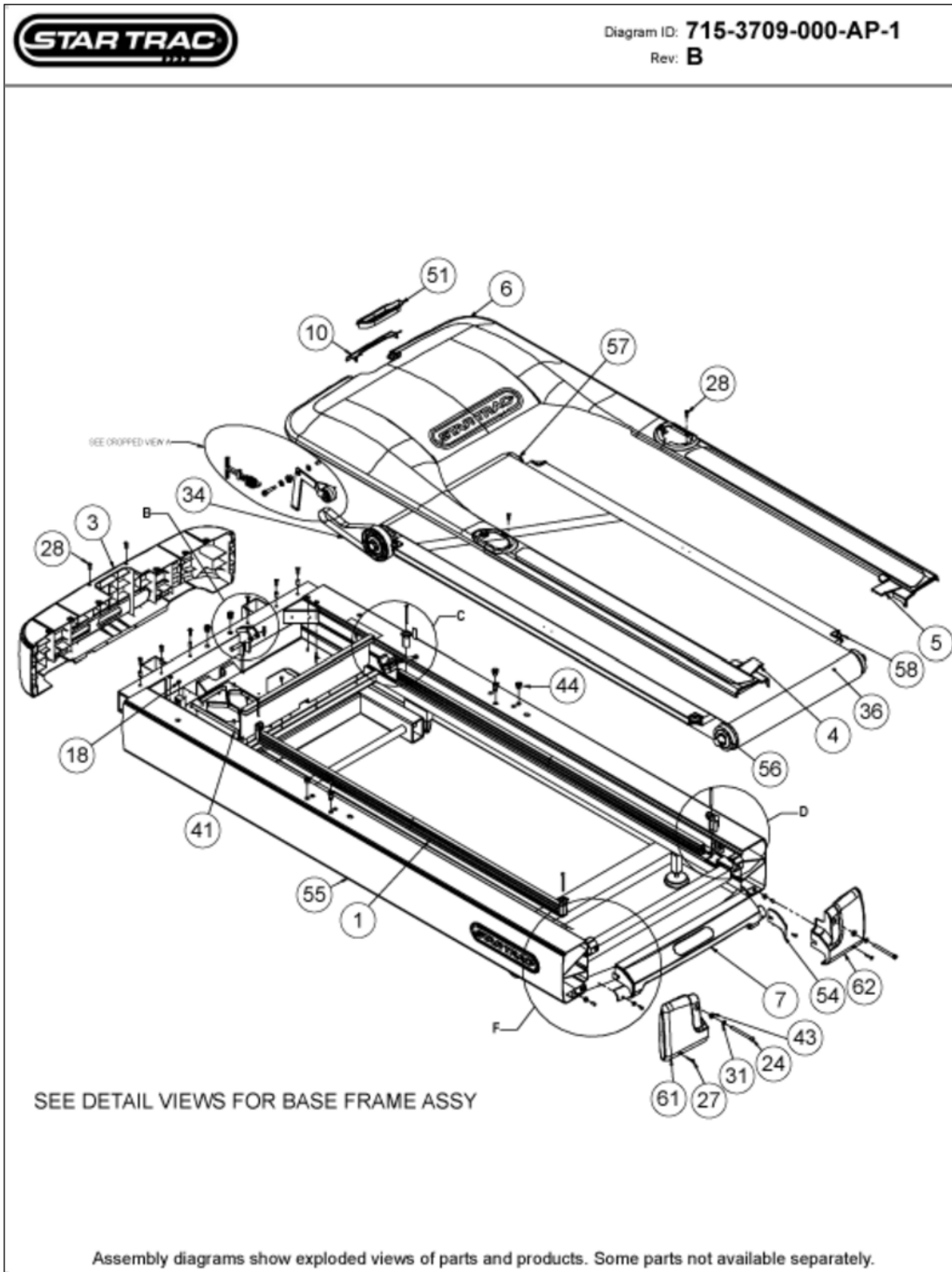


# CARDIO • Treadmill • E Series Treadmill w/Touchscreen • E-TRxe

## Base Frame Assy E-TRx



# Base Frame Assy

## E-TRx

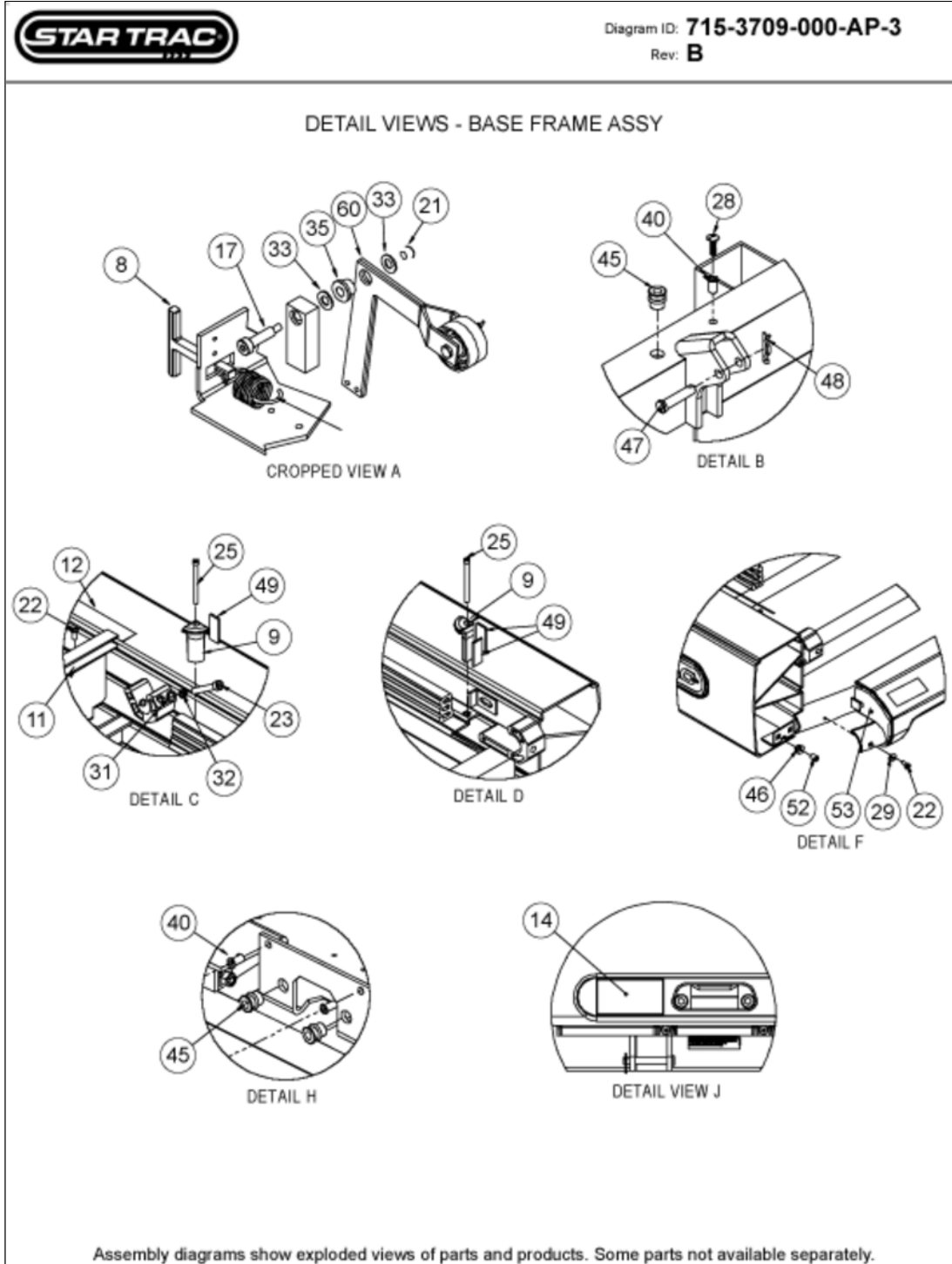
Callout	Part Number:	Description
1	<a href="#">010-3106</a>	DECK RUBBER, 53.5"
3	<a href="#">020-7030</a>	CAP, FRONT, OX
4	<a href="#">020-7033-01</a>	COVER, PLSTIC RAIL, LEFT, BACK
5	<a href="#">020-7033-02</a>	COVER, PLSTIC RAIL, RT, BACK
6	<a href="#">020-7034</a>	SHROUD, MOTOR, OX
7	<a href="#">020-7039</a>	COVER, PLASTIC, TAIL CENTER,
10	<a href="#">020-7232</a>	CAP, MOTOR SHROUD, TR OX
15	<a href="#">050-2070</a>	LABEL, SERIAL, TV KIT
18	<a href="#">110-1770</a>	<b>*OBSOLETE*</b>
24	<a href="#">110-3417</a>	SCREW, 10-24X2.5X.875, SHC, HE
27	<a href="#">110-3443</a>	SCREW, 10-32, 1.00, PHM, PH SS
28	<a href="#">110-3450</a>	SCREW, 10-24X3/4", TRUSS HEAD
31	<a href="#">120-0490</a>	WASHER, 5/16 X1/2" FLAT
36	<a href="#">130-1759</a>	BELT, RUN, E8/2 O/U3, AS TXGD1
41	<a href="#">140-3392</a>	SPACER BLOCK, MOTOR, TREAD
43	<a href="#">140-3405</a>	WASHER, HAT, TAIL CAP
44	<a href="#">140-3408</a>	RIVET, NUT, #5/16-18, PANEL
51	<a href="#">140-3428</a>	GROMMET, NECK, 6X2, TR, OX
54	<a href="#">140-3446-02</a>	SPACER, FOAM, TAIL CAP, RT,E-TRX
55	<a href="#">710-3141</a>	FRAME, STRUCTURE, POWDER COAT
56	<a href="#">715-3635</a>	ASSY, ROLLER, TAIL, FLAT, 88.9
57	<a href="#">715-3637</a>	ASSY, ROLLER, HEAD, FLAT, 88.9
58	<a href="#">715-3689</a>	ASSY, DECK, 25.75X53.75, OXTR
61	<a href="#">715-3791-01</a>	ASSY, COVER, TAIL, LEFT, E-TRX
62	<a href="#">715-3791-02</a>	ASSY, COVER, TAIL, RT, E-TRX

Parts are subject to availability. Part pricing may change with or without notice.  
Check the Star Trac Support Website <http://support.startrac.com> for current part pricing.

October 22, 2009

# CARDIO • Treadmill • E Series Treadmill w/Touchscreen • E-TRxe

## Detail Views Base Frame Assy E-TRx



## Detail Views

### Base Frame Assy

E-TRx

Callout	Part Number:	Description
8	<a href="#">020-7143</a>	HANDLE, QUICK RELEASE, TENSION
9	<a href="#">020-7228</a>	DECK, RETENTION, DELRIN, ROD
11	<a href="#">020-7271</a>	SHIELD, DUST, TR
12	<a href="#">020-7276</a>	BRACKET, DECK RETENTION, REAR
14	<a href="#">050-2041</a>	LOGO, STARTRAC, VLAD
17	<a href="#">050-2159</a>	LABEL, CAUTION, PINCH POINTS,TR
21	<a href="#">110-3026</a>	SCREW, 10-24X3/4" PHTCS
22	<a href="#">110-3056</a>	SCREW, 5/16-18X2.0" SHCS
23	<a href="#">110-3415</a>	SCREW, 5/16-18 X 3.5, SHC, HE,
25	<a href="#">110-3428</a>	BOLT, 3/8-16X2.25X1HEX, FLANGE
28	<a href="#">110-3450</a>	SCREW, 10-24X3/4", TRUSS HEAD
29	<a href="#">120-0341</a>	WASHER, #10 FLAT SAE
31	<a href="#">120-0490</a>	WASHER, 5/16 X1/2" FLAT
32	<a href="#">120-0496</a>	WASHER, 5/16" LOCK
33	<a href="#">120-3310</a>	WASHER, .390IDX.750ODX.067,
35	<a href="#">130-1756</a>	BUSHING, FLANGED, BRONZE,
40	<a href="#">140-3340</a>	RIVET NUT, #10-24, 130"-.225"
45	<a href="#">140-3409</a>	RIVET, NUT, #5/16-18, PANEL
46	<a href="#">140-3410</a>	NUT, GROMMET, #10, .03-.197
49	<a href="#">140-3416</a>	FOAM, PAD, BLK, 1.5X.65X.093
52	<a href="#">140-3439</a>	SPACER, RUBBER, .19X.315X.429
53	<a href="#">140-3446-01</a>	SPACER, FOAM, TAIL CAP, LT,E-TRX
60	<a href="#">715-3790</a>	ASSY, BELT TENSIONER, TR

Parts are subject to availability. Part pricing may change with or without notice.  
Check the Star Trac Support Website <http://support.startrac.com> for current part pricing.

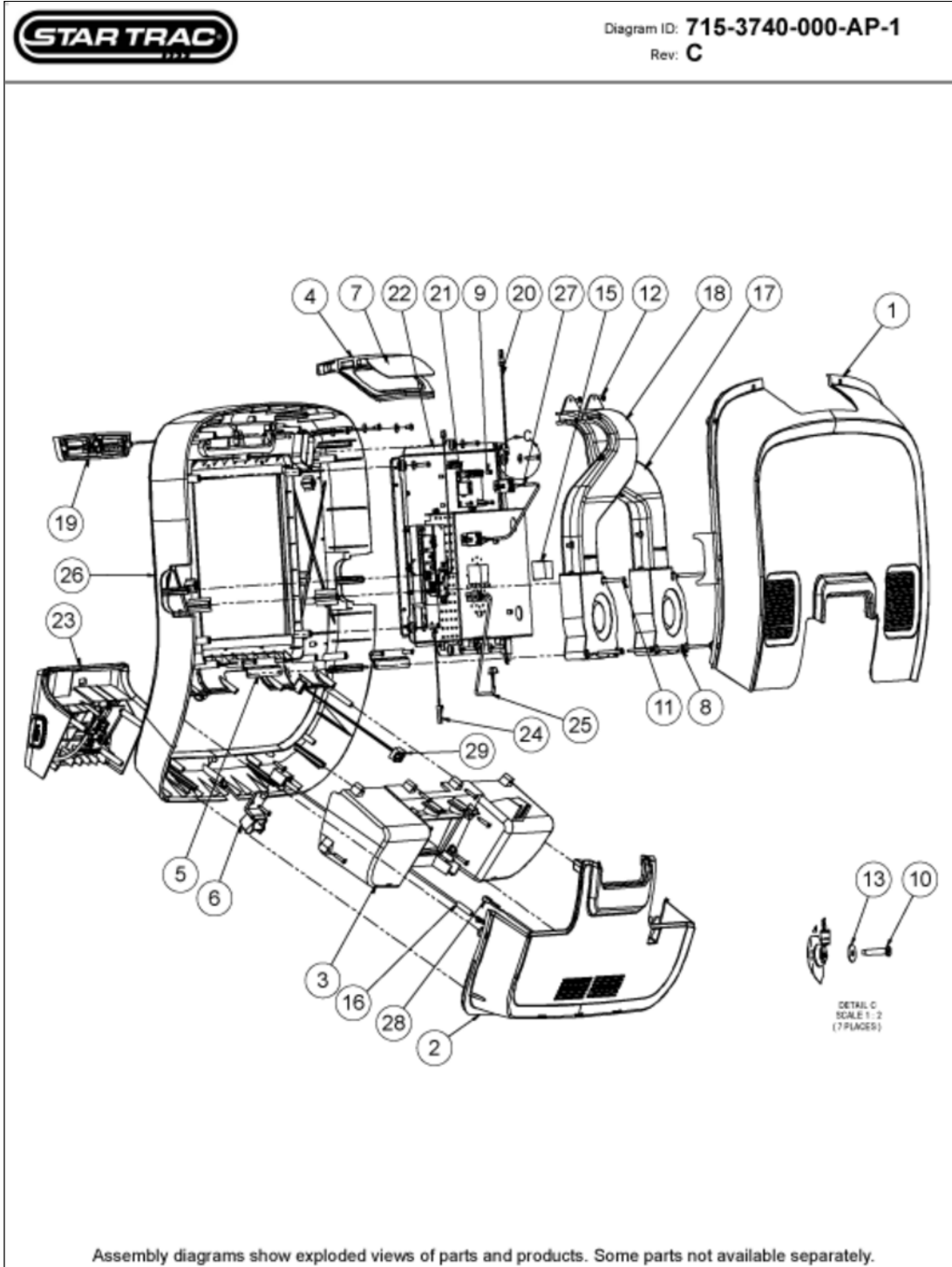
October 22, 2009

CARDIO • Treadmill • E Series Treadmill w/Touchscreen • E-TRxe

# Display Assy

## NTSC/ATSC

E-TRxe



# Display Assy

## NTSC/ATSC

### E-TRxe

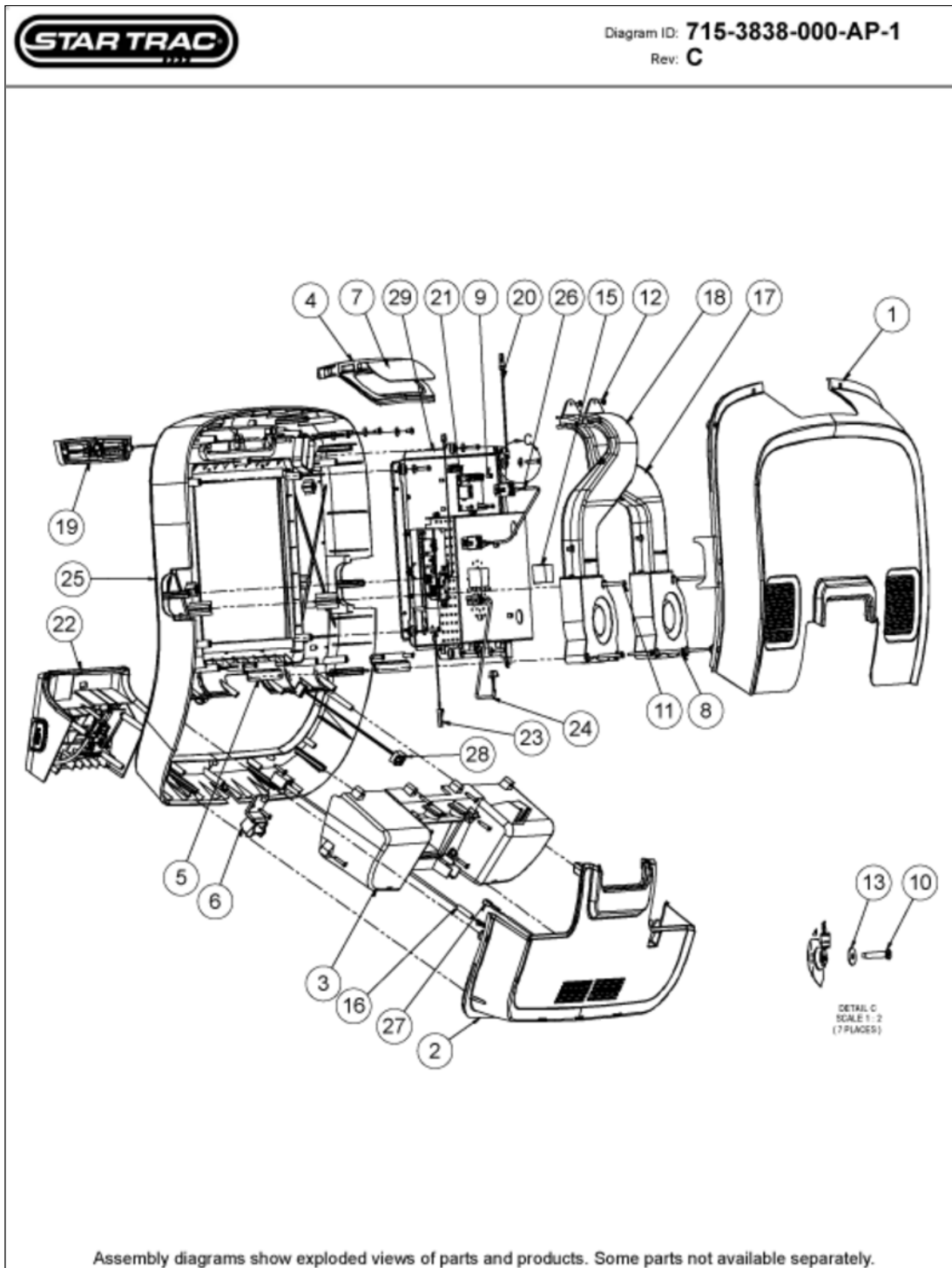
Callout	Part Number:	Description
1	<a href="#">020-7069</a>	REAR, TOP, TR
2	<a href="#">020-7070</a>	REAR, BOTTOM, TR
3	<a href="#">020-7073</a>	CUP HOLDER, LINING, PRO TR
4	<a href="#">020-7074</a>	CAP, TV BLANK, TR
5	<a href="#">020-7096</a>	BRKT, BLOWER SUPPORT, TR
6	<a href="#">020-7226</a>	CAP, LANYARD HOME
7	<a href="#">050-2066</a>	LOGO, STARTRAC, VLAD, TR
8	<a href="#">110-3170</a>	SCREW, M4X35, SHC,HE,ISO4762
9	<a href="#">110-3176</a>	SCREW, M3X6, PHM,PH,CS,ZI
10	<a href="#">110-3402</a>	SCREW, M4X0.7X19L, PHT, PH, CS
11	<a href="#">110-3403</a>	SCREW, M4X0.7X40L,PHT, PH, CS,
12	<a href="#">110-3404</a>	SCREW, M4X0.7X8L, PHT, PH, CS,
13	<a href="#">120-3307</a>	WASHER, M4, 4.3MMIDX12MMOD
14	<a href="#">140-0210</a>	TIE STRAP 3.5"
15	<a href="#">140-3457</a>	SPACER, $\hat{A}$ <sup>3/4</sup> X 1 RUBBER
16	<a href="#">715-3518-KT</a>	KIT, CABLE, POLAR RECEIVER,PRO
17	<a href="#">715-3642-KT</a>	KIT, FAN W/VENT, LEFT
18	<a href="#">715-3643-KT</a>	KIT, FAN W/VENT, RIGHT
19	<a href="#">715-3650</a>	ASSY, AIR VENT, TREAD, TV/R
20	<a href="#">715-3676</a>	HARNESS, DISP GND STRAP, PRO
21	<a href="#">715-3702</a>	TRANSLATOR BOARD
22	<a href="#">715-3741</a>	ASSY, TOUCH LCD DISP, NTSC/ATSC
23	<a href="#">715-3759-KT</a>	KIT, CENTER CONSOLE, E-TRXE
24	<a href="#">715-3779</a>	CABLE, FAN EXTENSION
25	<a href="#">715-3783</a>	CABLE, FITCPU INTERFACE
26	<a href="#">715-3792</a>	ASSY, FRT SHROUD, W/BEZEL, LCD
27	<a href="#">715-3800</a>	CABLE, FIT INTERFACE
28	<a href="#">715-3805</a>	CABLE, WHR EXTENSION
29	<a href="#">715-3806</a>	CABLE, CSAFE POWER

Parts are subject to availability. Part pricing may change with or without notice.  
Check the Star Trac Support Website <http://support.startrac.com> for current part pricing.

October 22, 2009

# CARDIO • Treadmill • E Series Treadmill w/Touchscreen • E-TRxe

## Display Assy PAL/SECAM E-TRxe



# Display Assy

## PAL/SECAM

### E-TRxe

Callout	Part Number:	Description
1	<a href="#">020-7069</a>	REAR, TOP, TR
2	<a href="#">020-7070</a>	REAR, BOTTOM, TR
3	<a href="#">020-7073</a>	CUP HOLDER, LINING, PRO TR
4	<a href="#">020-7074</a>	CAP, TV BLANK, TR
5	<a href="#">020-7096</a>	BRKT, BLOWER SUPPORT, TR
6	<a href="#">020-7226</a>	CAP, LANYARD HOME
7	<a href="#">050-2066</a>	LOGO, STARTRAC, VLAD, TR
8	<a href="#">110-3170</a>	SCREW, M4X35, SHC,HE,ISO4762
9	<a href="#">110-3176</a>	SCREW, M3X6, PHM,PH,CS,ZI
10	<a href="#">110-3402</a>	SCREW, M4X0.7X19L, PHT, PH, CS
11	<a href="#">110-3403</a>	SCREW, M4X0.7X40L,PHT, PH, CS,
12	<a href="#">110-3404</a>	SCREW, M4X0.7X8L, PHT, PH, CS,
13	<a href="#">120-3307</a>	WASHER, M4, 4.3MMIDX12MMOD
14	<a href="#">140-0210</a>	TIE STRAP 3.5"
15	<a href="#">140-3457</a>	SPACER, ¾ X 1 RUBBER
16	<a href="#">715-3518-KT</a>	KIT, CABLE, POLAR RECEIVER,PRO
17	<a href="#">715-3642</a>	<b>*ALT* USE PART # 715-3642-KT</b>
18	<a href="#">715-3643</a>	<b>*ALT* USE PART # 715-3643-KT</b>
19	<a href="#">715-3650</a>	ASSY, AIR VENT, TREAD, TV/R
20	<a href="#">715-3676</a>	HARNESS, DISP GND STRAP, PRO
21	<a href="#">715-3702</a>	TRANSLATOR BOARD
22	<a href="#">715-3759</a>	<b>*ALT* USE PART # 715-3759-KT</b>
23	<a href="#">715-3779</a>	CABLE, FAN EXTENSION
24	<a href="#">715-3783</a>	CABLE, FITCPU INTERFACE
25	<a href="#">715-3792</a>	ASSY, FRT SHROUD, W/BEZEL, LCD
26	<a href="#">715-3800</a>	CABLE, FIT INTERFACE
27	<a href="#">715-3805</a>	CABLE, WHR EXTENSION
28	<a href="#">715-3806</a>	CABLE, CSAFE POWER
29	<a href="#">715-3837</a>	ASSY, TOUCH LCD DISP, PAL/S

Parts are subject to availability. Part pricing may change with or without notice.  
Check the Star Trac Support Website <http://support.startrac.com> for current part pricing.

October 22, 2009

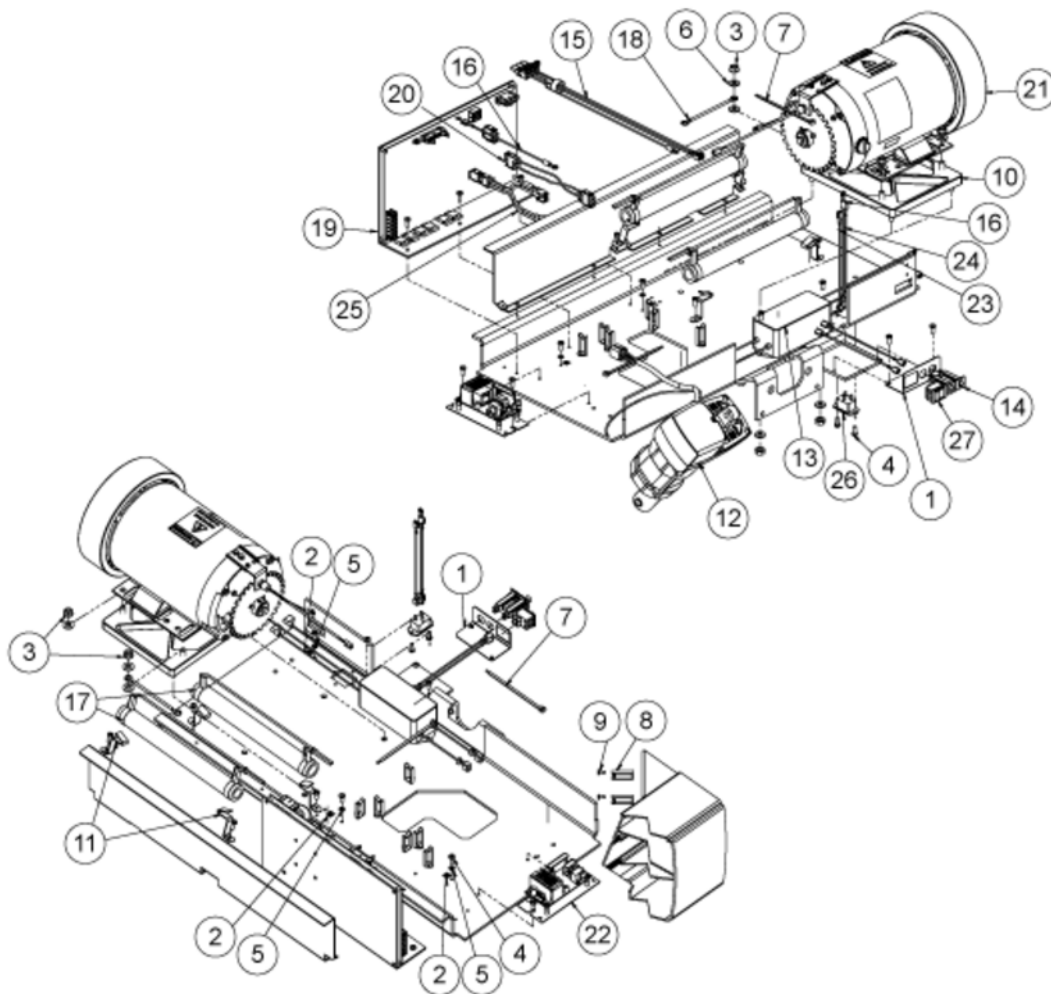


# CARDIO • Treadmill • E Series Treadmill w/Touchscreen • E-TRxe

## Electrical Assy Lower (220V 10A) E-TRx



Diagram ID: 715-3813-000-AP-1  
Rev: B



Assembly diagrams show exploded views of parts and products. Some parts not available separately.

# Electrical Assy

## Lower (220V 10A)

### E-TRx

Callout	Part Number:	Description
1	<a href="#">020-7286</a>	BRACKET, SWITCH/BREAKER,E-TR/E-TRX
2	<a href="#">050-0411</a>	LABEL, GROUND UL/CSA
3	<a href="#">110-1870</a>	NUT, 5/16-18
4	<a href="#">110-3026</a>	SCREW, 10-24X3/4" PHTCS
5	<a href="#">120-0220</a>	WASHER, #10 EXT TOOTH
6	<a href="#">120-3023</a>	WASHER, 5/8IDX1.0"
7	<a href="#">140-0200</a>	TIE STRAP 5"
8	<a href="#">140-3232</a>	CLAMP, WIRE, SADDLE, 1.0"
9	<a href="#">140-3234</a>	RIVET, SNAP, .161" HOLE
10	<a href="#">140-3392</a>	SPACER BLOCK, MOTOR, TREAD
11	<a href="#">170-0688</a>	BRKT, RESISTOR MOUNT
12	<a href="#">260-0942</a>	MOTOR, GEAR, 220VAC, ELEV W/NUT
13	<a href="#">440-0273</a>	FILTER, EMI/HARMONICS, 250V,
14	<a href="#">470-0415</a>	BREAKER, THERMAL, 10A
15	<a href="#">715-3412</a>	CABLE, POWER, EMI-MCB
16	<a href="#">715-3457</a>	CABLE, GROUND WIRE
17	<a href="#">715-3588</a>	ASSY, RESISTOR, 200W, 1K OHM
18	<a href="#">715-3611</a>	BLEEDER ASSY, AC UNITS
19	<a href="#">715-3618</a>	MCB, 220V, AC SYSTEM
20	<a href="#">715-3674</a>	CABLE, POWER SUPPLY, AC-SYSTEM
21	<a href="#">715-3681</a>	ASSY, MOTOR, AC, INDUCTION
22	<a href="#">715-3784-KT</a>	KIT,PWR-SUPPLY 12V/65W, W/BRK
23	<a href="#">715-3801</a>	ASSY, CABLE, NEUTRAL WIRE, E-TRX
24	<a href="#">715-3802</a>	ASSY, CABLE, LINE WIRE, E-TRX
25	<a href="#">718-5191</a>	ASSY, CABLE EXT, RESISTOR, OX
26	<a href="#">740-6093</a>	IEC, CONNECTOR, 220V 10A
27	<a href="#">740-6116</a>	SWITCH, ON/OFF, 110V, 18A

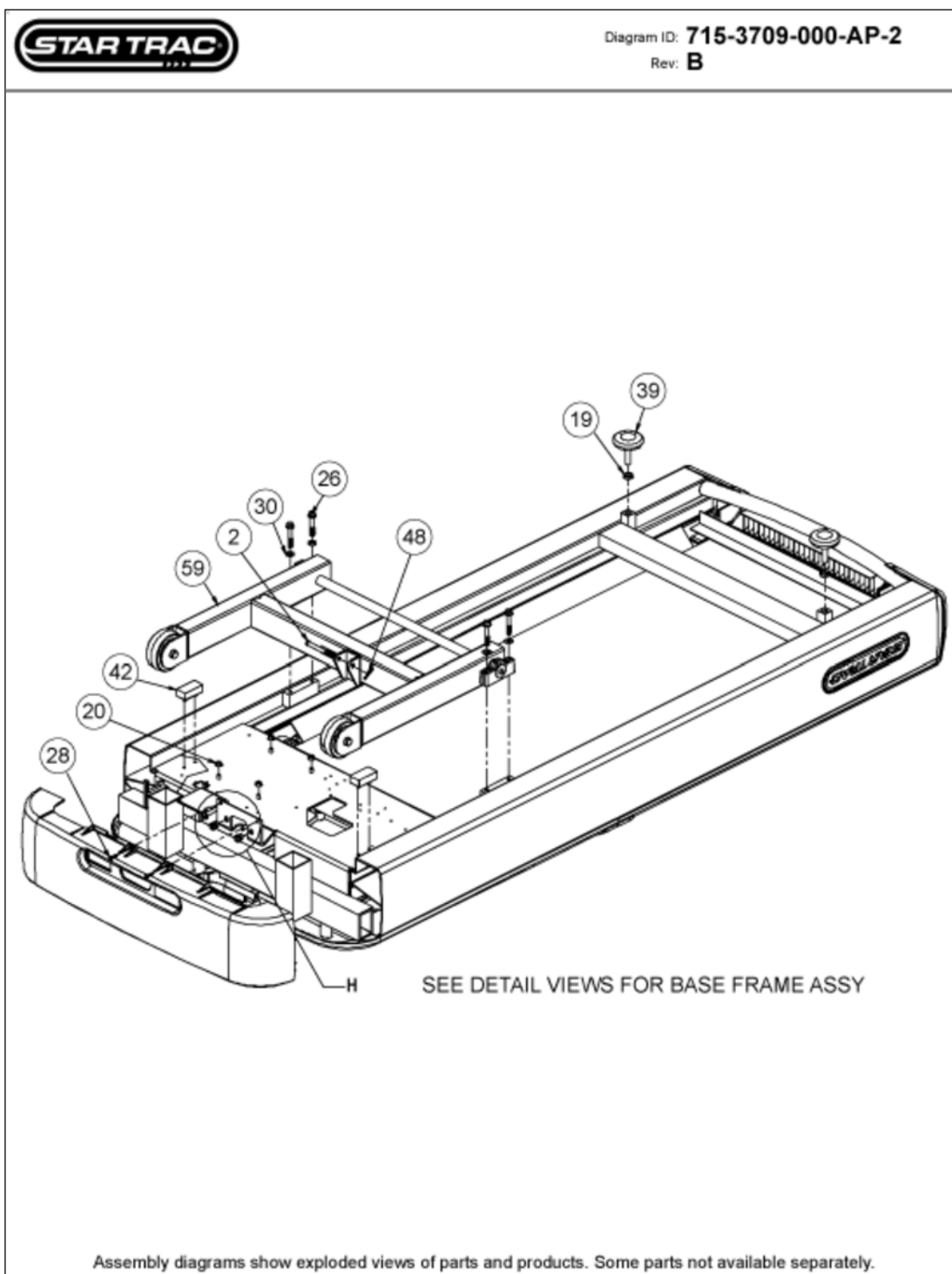
Parts are subject to availability. Part pricing may change with or without notice.  
Check the Star Trac Support Website <http://support.startrac.com> for current part pricing.

October 22, 2009

CARDIO • Treadmill • E Series Treadmill w/Touchscreen • E-TRxe

# Elevation Frame Assy

## E-TRx



## Elevation Frame Assy

### E-TRx

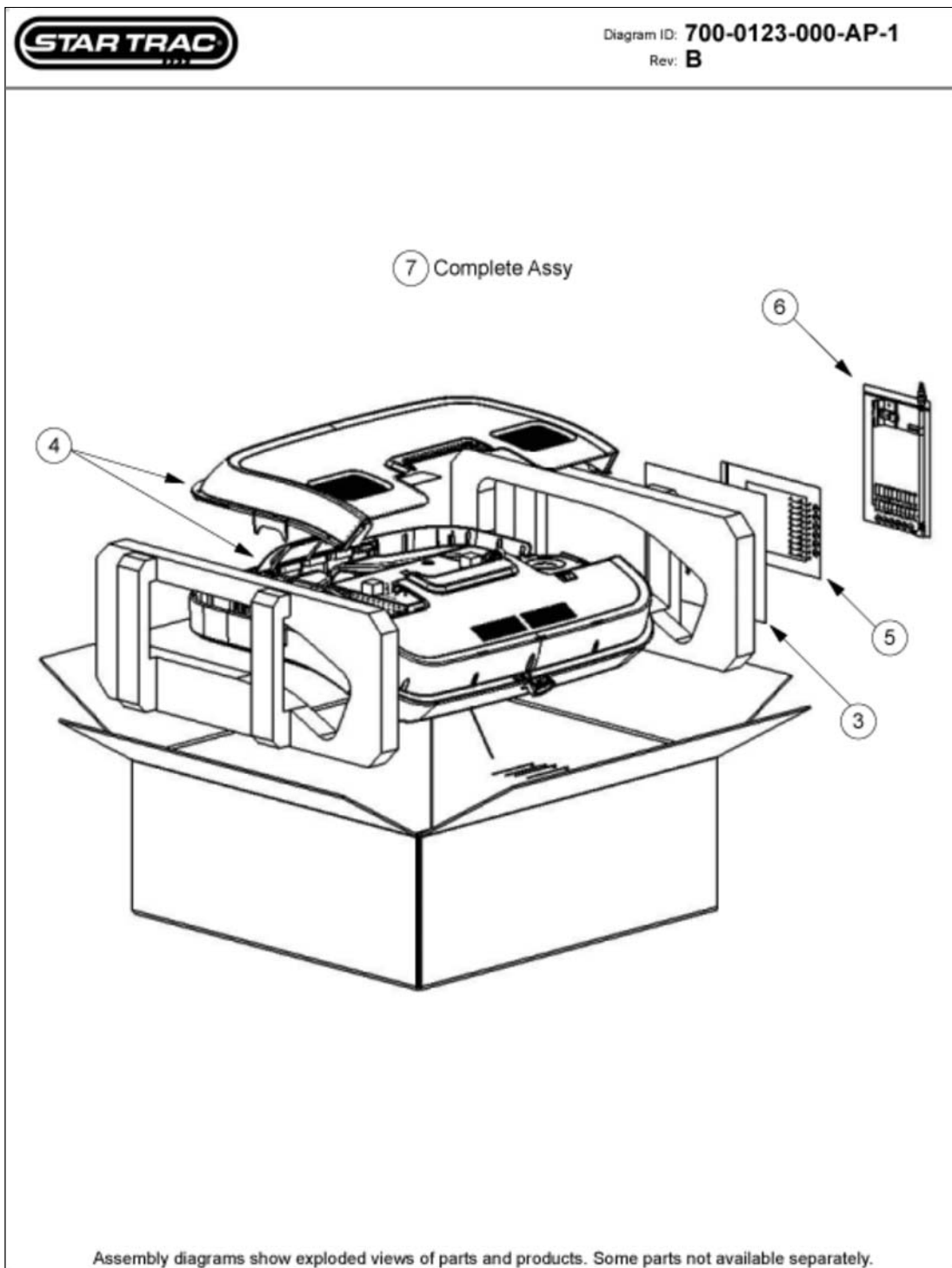
Callout	Part Number:	Description
2	<a href="#">020-6288</a>	PIN, CLEVIS, 3/8 X 2.5
19	<a href="#">110-1823</a>	NUT, 1/2-13X5/16" JAM
20	<a href="#">110-1870</a>	NUT, 5/16-18
26	<a href="#">110-3430</a>	PIN, CLEVIS, 3/8X1-5/8
28	<a href="#">110-3450</a>	SCREW, 10-24X3/4", TRUSS HEAD
30	<a href="#">120-0460</a>	WASHER, 3/8" LOCK
39	<a href="#">140-3200</a>	ADJUSTABLE FOOT, 1/2-13X3.0"
42	<a href="#">140-3397</a>	BUMP STOP, W/THREADED STUD
48	<a href="#">140-3415</a>	CLIP, CLEVIS PIN, 3/8
59	<a href="#">715-3726</a>	ASSY, SUB, ELEVATION

Parts are subject to availability. Part pricing may change with or without notice.  
Check the Star Trac Support Website <http://support.startrac.com> for current part pricing.

October 22, 2009

# CARDIO • Treadmill • E Series Treadmill w/Touchscreen • E-TRxe

## Embedded Display Kit NTSC/ATSC E-TRe & E-TRxe



# Embedded Display Kit

## NTSC/ATSC

### E-TRe & E-TRxe

---

Callout	Part Number:	Description
1	<a href="#">050-2070</a>	LABEL, SERIAL, TV KIT
2	<a href="#">050-2165</a>	PACKAGE, EMBED DISP, E-TRE
3	<a href="#">620-7807</a>	MANUAL, OPER, E-TRE - E-BTSE
4	<a href="#">715-3740</a>	ASSY, DISP TRXE, NTSC/ATSC
5	<a href="#">715-3850</a>	KIT, TOOLS, EMBEDDED, E-TRXE
6	<a href="#">715-3856</a>	KIT, TOOLS, EMBEDDED, DISPL,E-TRE
7	<a href="#">700-0123</a>	KIT, EMBEDD DISP,NTSC,E-TRE & E-TRXE

---

Parts are subject to availability. Part pricing may change with or without notice.  
Check the Star Trac Support Website <http://support.startrac.com> for current part pricing.

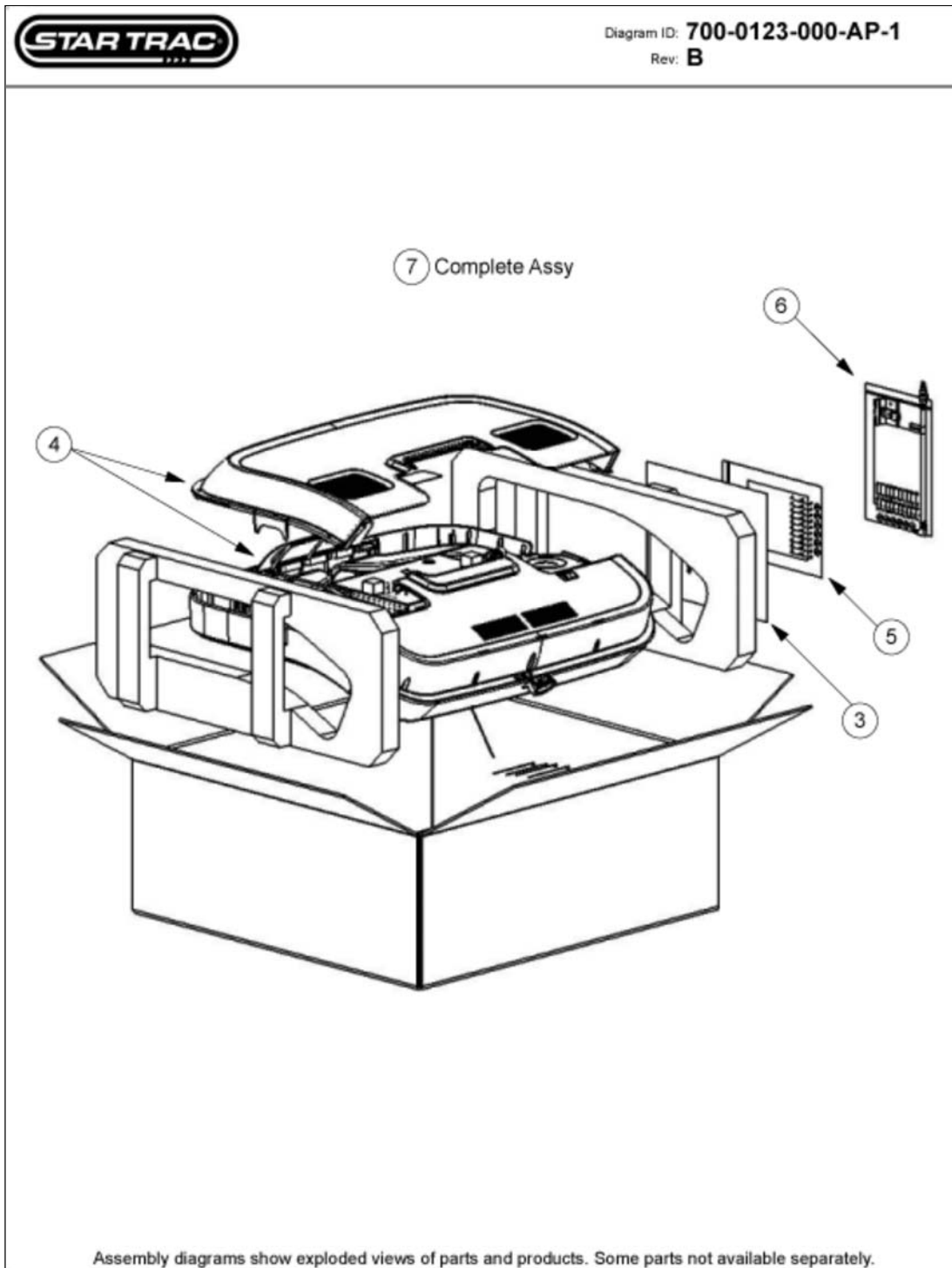
October 22, 2009

CARDIO • Treadmill • E Series Treadmill w/Touchscreen • E-TRxe

# Embedded Display Kit

## PAL/SECAM

E-TRe & E-TRxe



# Embedded Display Kit

## PAL/SECAM

E-TRe & E-TRxe

---

Callout	Part Number:	Description
1	<a href="#">050-2070</a>	LABEL, SERIAL, TV KIT
2	<a href="#">050-2165</a>	PACKAGE, EMBED DISP, E-TRE
3	<a href="#">620-7807</a>	MANUAL, OPER, E-TRE - E-BTSE
4	<a href="#">715-3838</a>	ASSY, DISP TRXE, PAL/SECAM
5	<a href="#">715-3850</a>	KIT, TOOLS, EMBEDDED, E-TRXE
6	<a href="#">715-3856</a>	KIT, TOOLS, EMBEDDED, DISPL,E-TRE
7	<a href="#">700-0124</a>	KIT, EMBEDD DISP, PAL,E-TRE

---

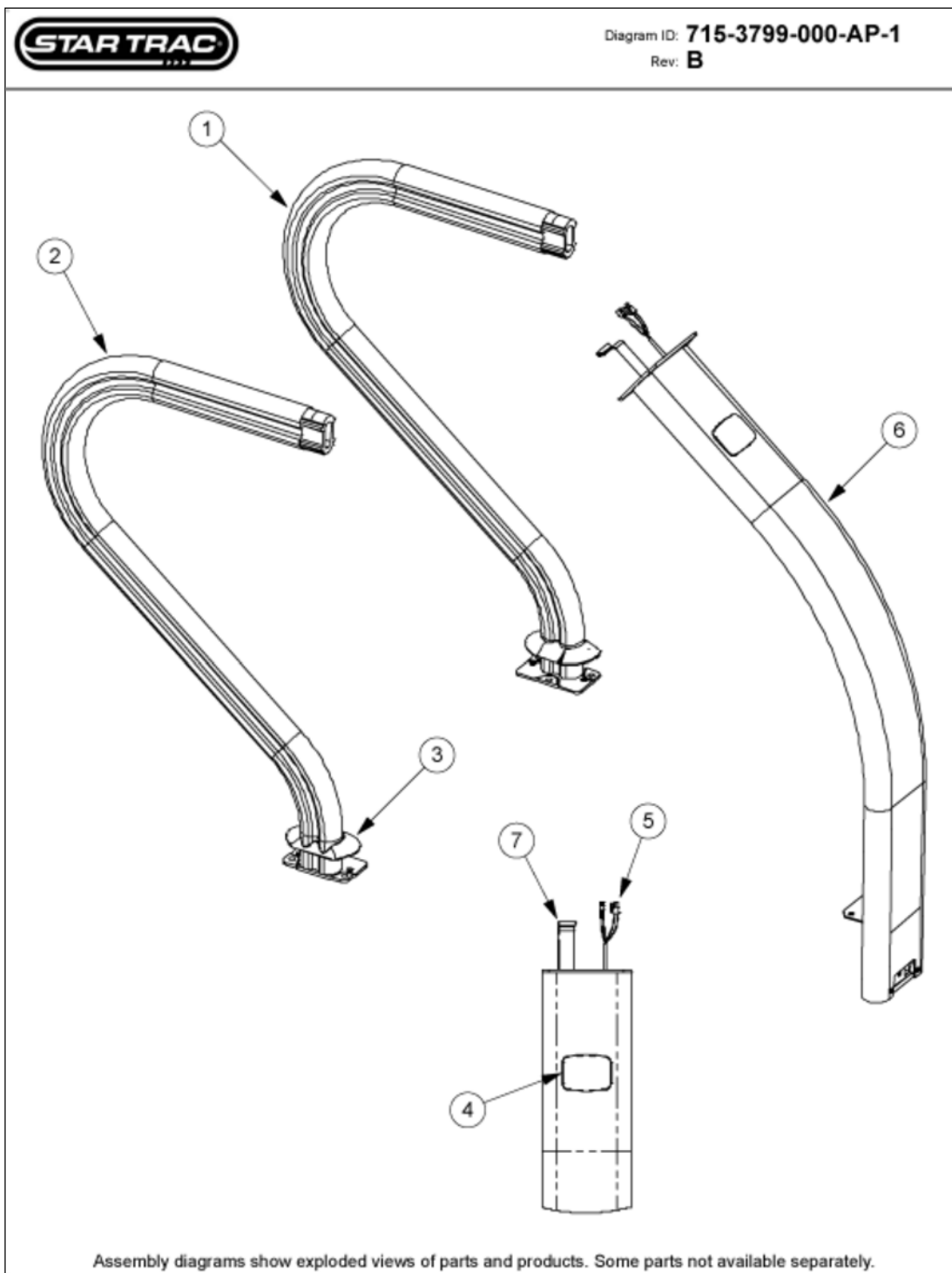
Parts are subject to availability. Part pricing may change with or without notice.  
Check the Star Trac Support Website <http://support.startrac.com> for current part pricing.

October 22, 2009



# CARDIO • Treadmill • E Series Treadmill w/Touchscreen • E-TRxe

## Handrail & Neck E-TRx



## Handrail & Neck E-TRx

---

Callout	Part Number:	Description
1	<a href="#">020-7179</a>	RAIL, SIDE, LEFT
2	<a href="#">020-7181</a>	RAIL, SIDE, RIGHT
3	<a href="#">020-7245</a>	GSKET, HANDRAIL, OX
4	<a href="#">050-2158</a>	BADGE, PRODUCT, E-TRX
5	<a href="#">715-3678</a>	HARNESS, DC SUPPLY, PRO TR
6	<a href="#">715-3699</a>	WELDMENT, FRONT RAIL
7	<a href="#">715-3781</a>	TRANSLATOR CABLE

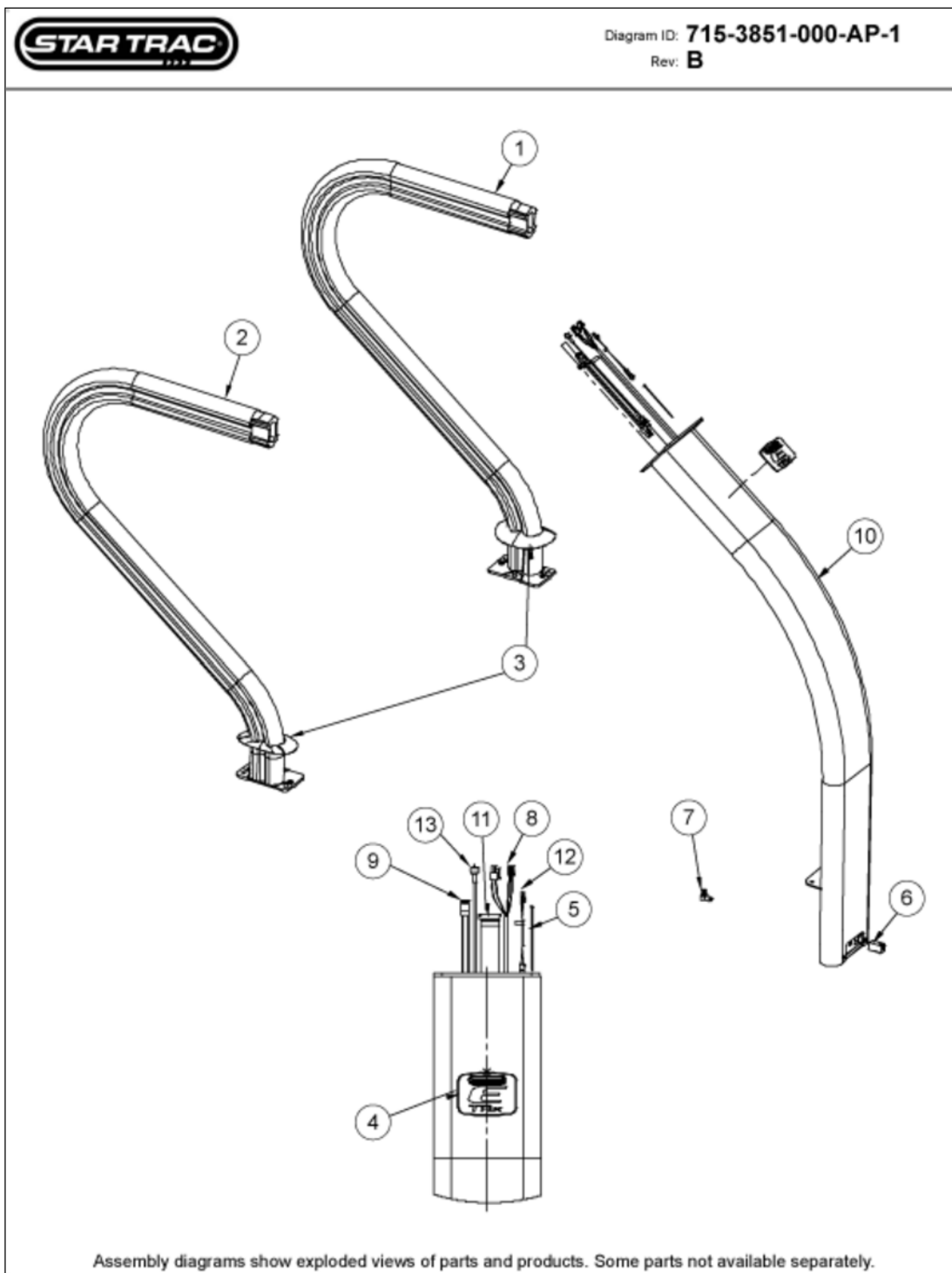
---

Parts are subject to availability. Part pricing may change with or without notice.  
Check the Star Trac Support Website <http://support.startrac.com> for current part pricing.

October 22, 2009

CARDIO • Treadmill • E Series Treadmill w/Touchscreen • E-TRxe

# Handrail & Neck E-TRxe



## Handrail & Neck E-TRxe

Callout	Part Number:	Description
1	<a href="#">020-7179</a>	RAIL, SIDE, LEFT
2	<a href="#">020-7181</a>	RAIL, SIDE, RIGHT
3	<a href="#">020-7245</a>	GSKET, HANDRAIL, OX
4	<a href="#">050-2158</a>	BADGE, PRODUCT, E-TRX
5	<a href="#">140-0210</a>	TIE STRAP 3.5"
6	<a href="#">240-6846</a>	CONN, 8 POS, IN-LINE
7	<a href="#">240-6914</a>	ADAPTOR, F TYPE RT ANGLE, M/F
8	<a href="#">715-3678</a>	HARNESS, DC SUPPLY, PRO TR
9	<a href="#">715-3682</a>	ASSY, HARNESS, CSAFE, TREAD
10	<a href="#">715-3699</a>	WELDMENT, FRONT RAIL
11	<a href="#">715-3781</a>	TRANSLATOR CABLE
12	<a href="#">715-3804</a>	CABLE, UD SENSOR, EXTENSION
13	<a href="#">718-5129</a>	CABLE, ANTENNA, PRO TR

Parts are subject to availability. Part pricing may change with or without notice.  
Check the Star Trac Support Website <http://support.startrac.com> for current part pricing.

October 22, 2009

CARDIO • Treadmill • E Series Treadmill w/Touchscreen • E-TRxe

# Hardware Kit

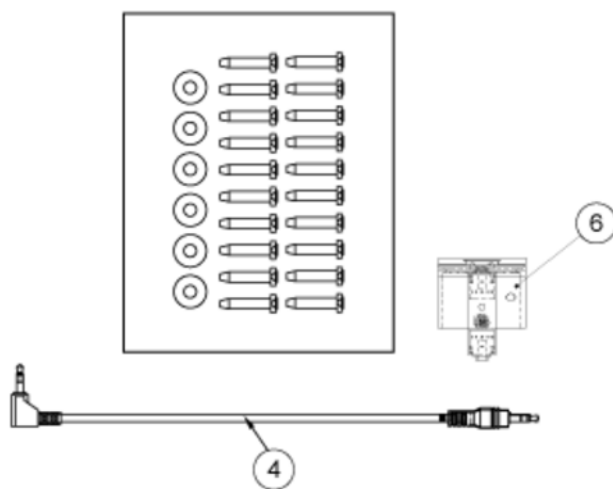
## Embedded Display

E-TRe



Diagram ID: 715-3856-000-AP-1  
Rev: A

① Hardware Kit



Assembly diagrams show exploded views of parts and products. Some parts not available separately.

# Hardware Kit

## Embedded Display

E-TRe

---

Callout Part Number:	Description
1 <a href="#">715-3856</a>	KIT, TOOLS, EMBEDDED, DISPL,E-TRE

---

Parts are subject to availability. Part pricing may change with or without notice.  
Check the Star Trac Support Website <http://support.startrac.com> for current part pricing.

October 22, 2009

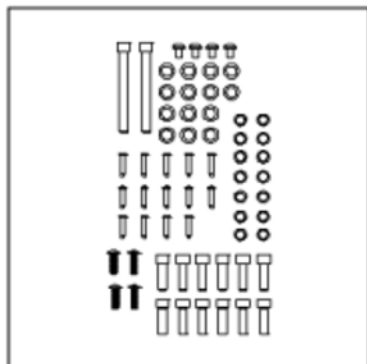
## CARDIO • Treadmill • E Series Treadmill w/Touchscreen • E-TRxe

# Hardware Kit E-TRe & E-TRx



Diagram ID: 715-3808-000-AP-1  
Rev: A

① Hardware Kit



Assembly diagrams show exploded views of parts and products. Some parts not available separately.

# Hardware Kit

## E-TRe & E-TRx

---

Callout Part Number:	Description
1 <b>715-3808</b>	KIT, TOOLS, INSTALL, E-TRE/X

---

Parts are subject to availability. Part pricing may change with or without notice.  
Check the Star Trac Support Website <http://support.startrac.com> for current part pricing.

October 22, 2009



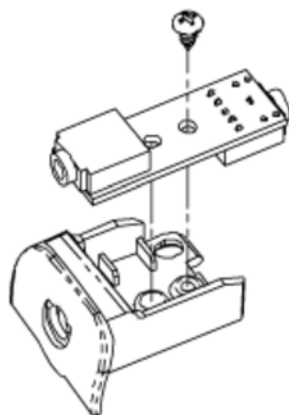
CARDIO • Treadmill • E Series Treadmill w/Touchscreen • E-TRxe

# Headphone Jack Hotbar



Diagram ID: 715-3722-000-AP-1  
Rev: B

① Complete Assy



Assembly diagrams show exploded views of parts and products. Some parts not available separately.

# Headphone Jack

## Hotbar

---

Callout Part Number:	Description
1 <a href="#">715-3722-KT</a>	KIT, HEADPHONE JACK, HOT BAR

---

Parts are subject to availability. Part pricing may change with or without notice.  
Check the Star Trac Support Website <http://support.startrac.com> for current part pricing.

October 22, 2009

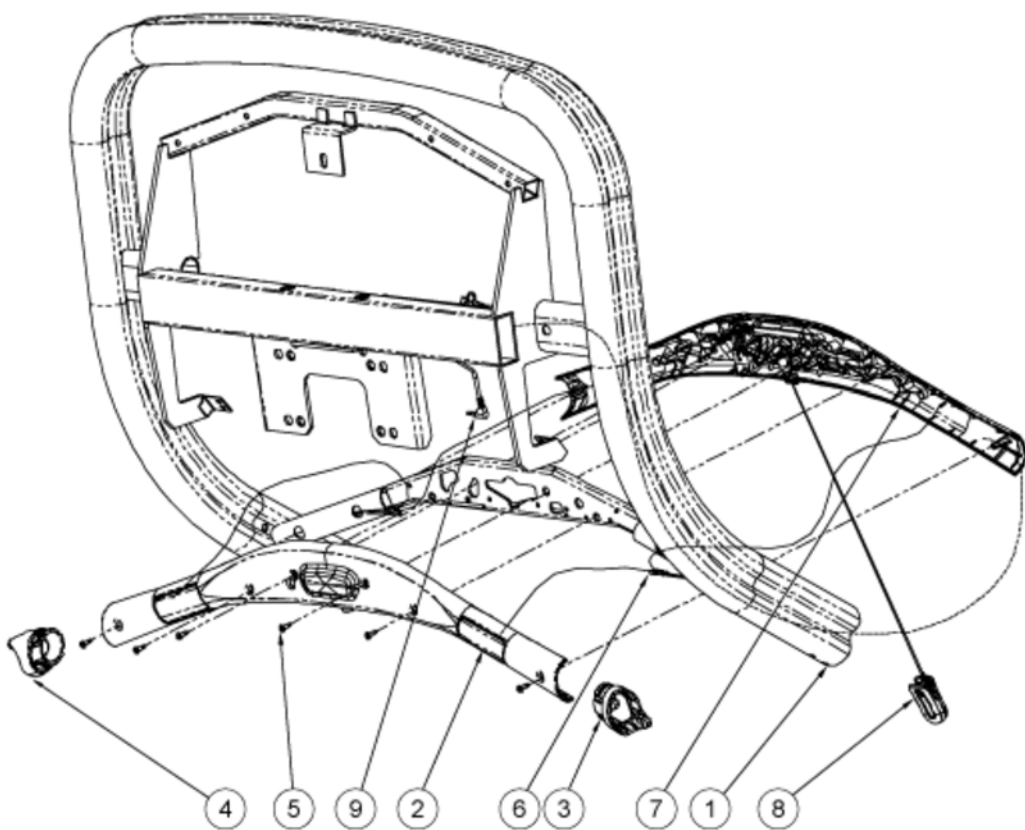
CARDIO • Treadmill • E Series Treadmill w/Touchscreen • E-TRxe

# Hotbar Assy

## E-TRx



Diagram ID: 715-3747-000-AP-1  
Rev: C



Assembly diagrams show exploded views of parts and products. Some parts not available separately.

## Hotbar Assy E-TRx

Callout	Part Number:	Description
1	<a href="#">020-7183</a>	WELDMENT, TOP RAIL, OX
2	<a href="#">020-7214</a>	*ALT* USE PART # <a href="#">020-7330</a>
3	<a href="#">020-7218-01</a>	GROMMET, HOT BAR OX, LEFT
4	<a href="#">020-7218-02</a>	GROMMET, HOT BAR OX, RT
5	<a href="#">110-3165</a>	SCREW, M4X0.7X20L, PHT,PH,CS,ZI
6	<a href="#">715-3425</a>	SPLITTER, HR GRIP
7	<a href="#">715-3859-KT</a>	ASSY, HOT BAR, COMPLETE, ETRX
8	<a href="#">715-3719</a>	ASSY, LANYARD E-STOP, OX
9	<a href="#">715-3746</a>	CABLE, SW I/O THRU RAIL, OX

Parts are subject to availability. Part pricing may change with or without notice.  
Check the Star Trac Support Website <http://support.startrac.com> for current part pricing.

October 22, 2009

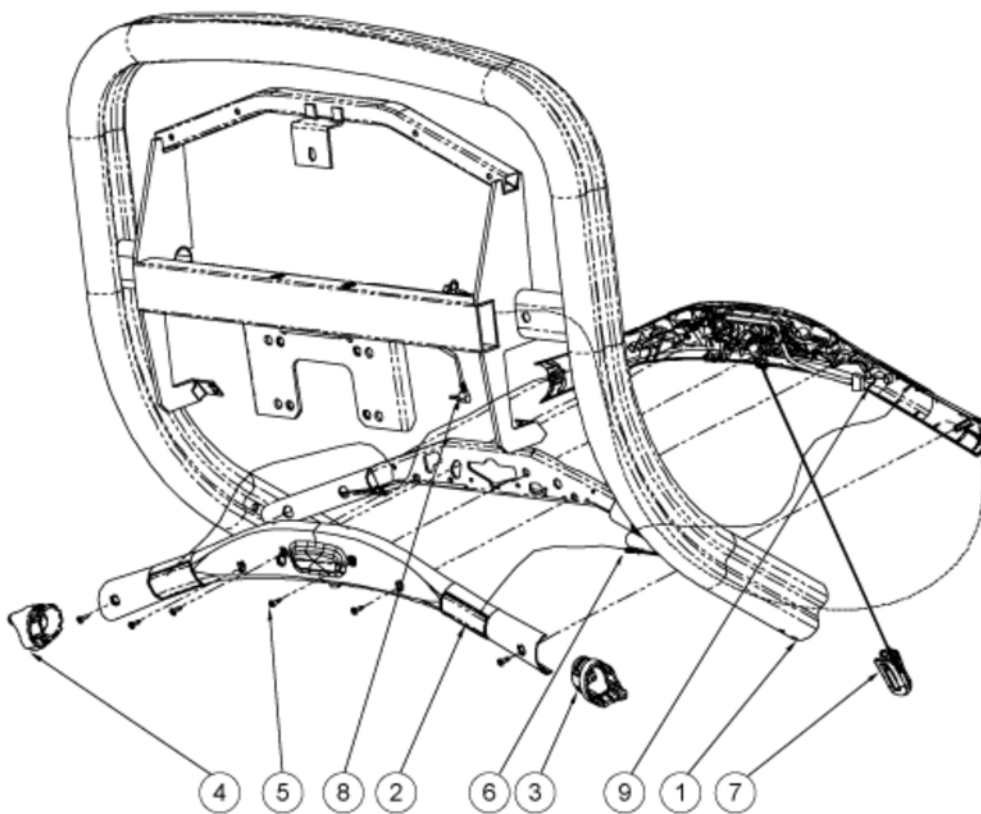
CARDIO • Treadmill • E Series Treadmill w/Touchscreen • E-TRxe

# Hotbar Assy

## E-TRxe



Diagram ID: 715-3857-000-AP-1  
Rev: A



Assembly diagrams show exploded views of parts and products. Some parts not available separately.

## Hotbar Assy E-TRxe

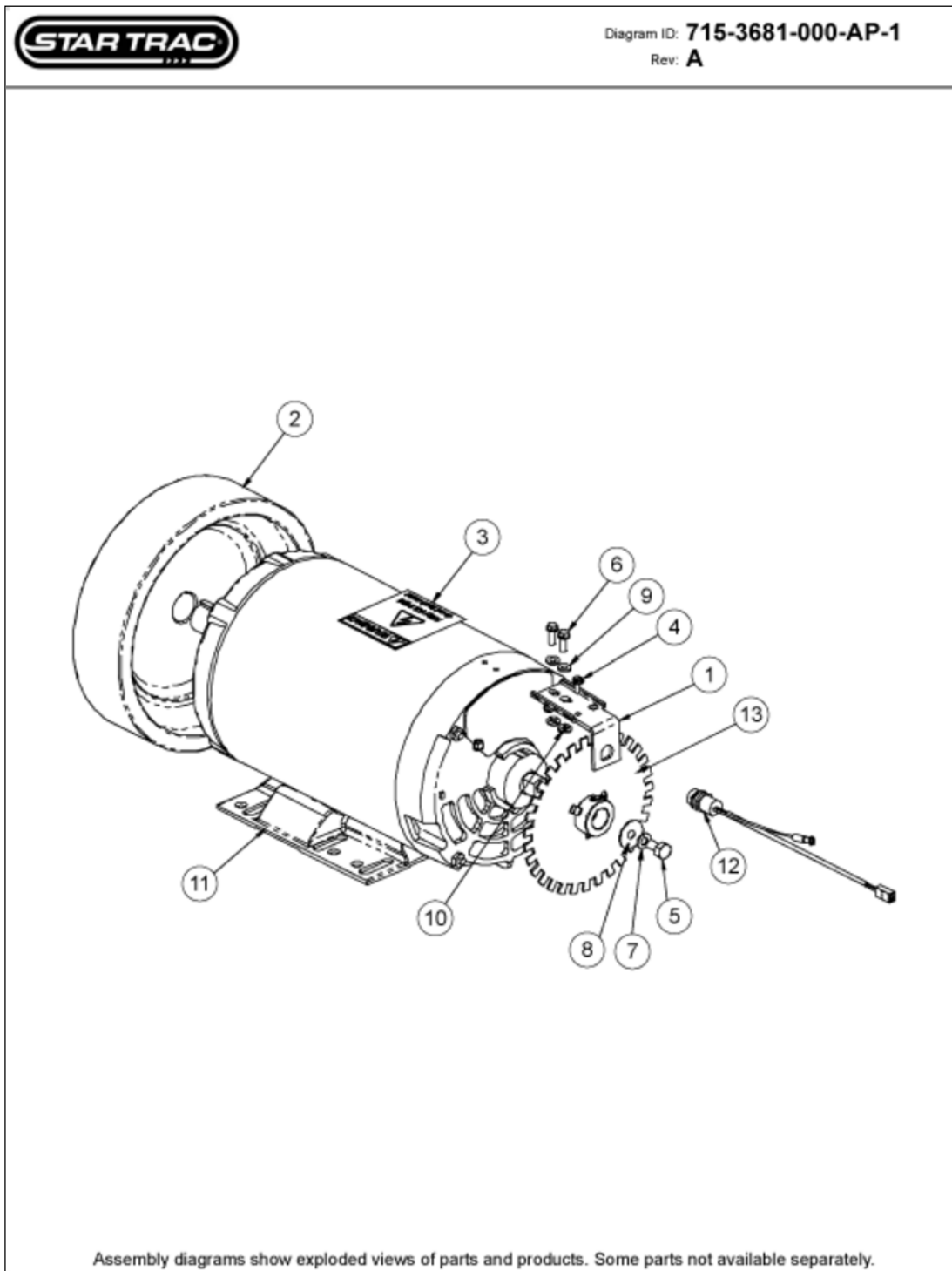
Callout	Part Number:	Description
1	<a href="#">020-7183</a>	WELDMENT, TOP RAIL, OX
2	<a href="#">020-7214</a>	<b>*ALT* USE PART # 020-7330</b>
3	<a href="#">020-7218-01</a>	GROMMET, HOT BAR OX, LEFT
4	<a href="#">020-7218-02</a>	GROMMET, HOT BAR OX, RT
5	<a href="#">110-3165</a>	SCREW, M4X0.7X20L, PHT,PH,CS,ZI
6	<a href="#">715-3425</a>	SPLITTER, HR GRIP
7	<a href="#">715-3719</a>	ASSY, LANYARD E-STOP, OX
8	<a href="#">715-3746</a>	CABLE, SW I/O THRU RAIL, OX
9	<a href="#">715-3858-KT</a>	KIT, HOT BAR, TOP, ETRXE
10	<a href="#">715-3859-KT</a>	ASSY, HOT BAR, COMPLETE, ETRX

Parts are subject to availability. Part pricing may change with or without notice.  
Check the Star Trac Support Website <http://support.startrac.com> for current part pricing.

October 22, 2009

CARDIO • Treadmill • E Series Treadmill w/Touchscreen • E-TRxe

# Motor Assy 220VAC



## Motor Assy 220VAC

Callout	Part Number:	Description
1	<a href="#">020-6563</a>	BRACKET, RPM SENSOR, SUPPORT
2	<a href="#">020-7128</a>	PULLEY, FLYWHEEL, 180J10X.875
3	<a href="#">050-1903</a>	LABEL, WARNING, HIGH VOLTAGE
4	<a href="#">110-0180</a>	<b>*OBSOLETE*</b>
5	<a href="#">110-0580</a>	SCREW, 1/4-20X1/2" HHCS
6	<a href="#">110-3429</a>	SCREW, 8-32X1/2", HHW, TAPTITE
7	<a href="#">120-0420</a>	WASHER, 1/4" LOCK
8	<a href="#">120-0425</a>	WASHER, FLAT, 1/4X7/8ODX.047
9	<a href="#">120-3266</a>	WASHER, #8, SHOULDER, NYLON
10	<a href="#">120-3267</a>	WASHER, #8, RETAINER, NYLON
11	<a href="#">260-0934</a>	MOTOR, DRIVE, 220V 5HP AC
12	<a href="#">560-0069</a>	RPM SENSOR, W/GRND WIRE, AC PT
13	<a href="#">715-3574</a>	RPM DISK, 31 SLOT, AC MOTOR

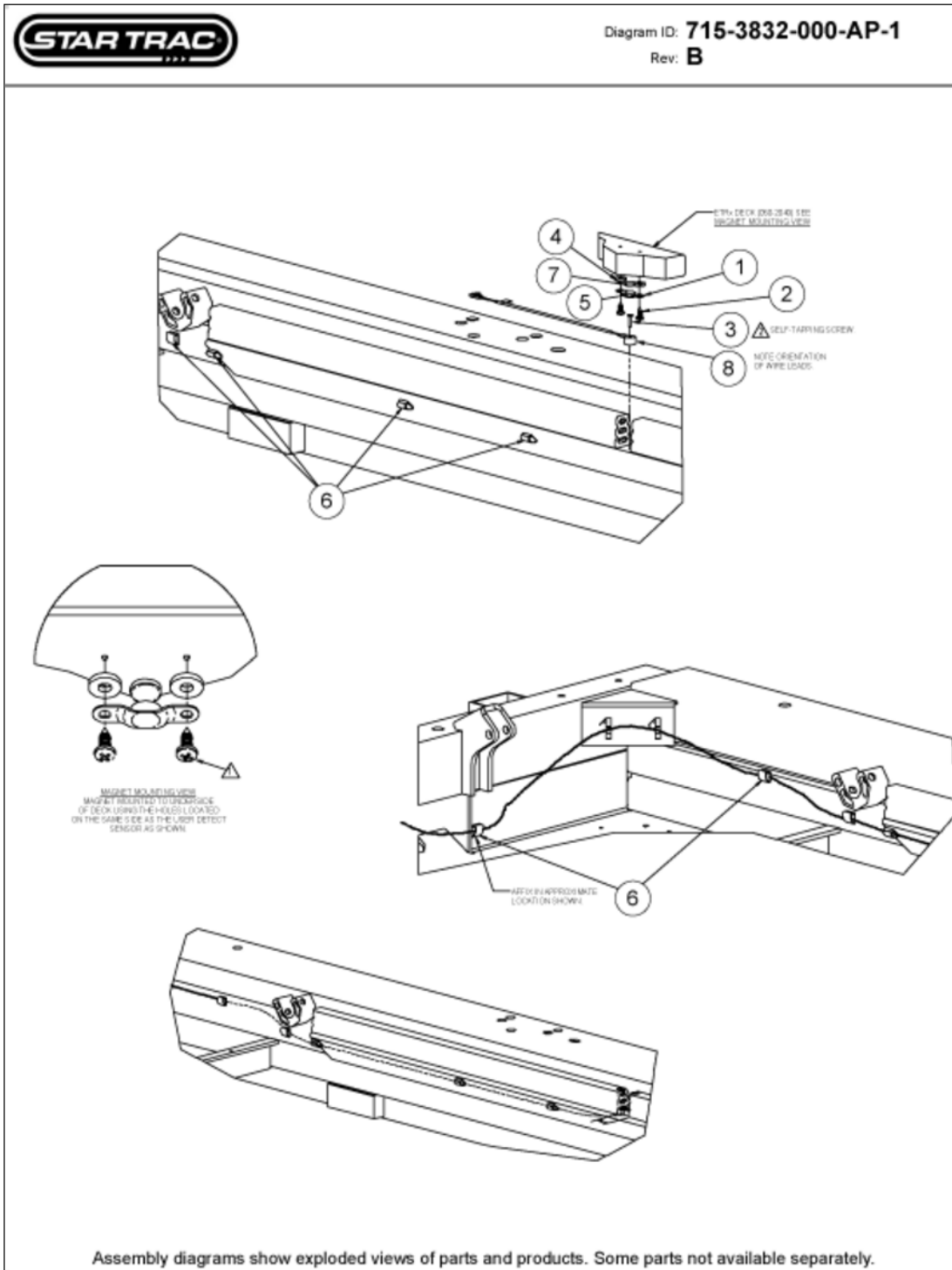
Parts are subject to availability. Part pricing may change with or without notice.  
Check the Star Trac Support Website <http://support.startrac.com> for current part pricing.

October 22, 2009



# CARDIO • Treadmill • E Series Treadmill w/Touchscreen • E-TRxe

## User Detect E-TRx



## User Detect E-TRx

---

Callout	Part Number:	Description
1	<a href="#">020-7291</a>	BRKT, MAGNET, USER DETECT, TR
2	<a href="#">110-3453</a>	SCREW, 8-32, .5 PH, CS, ZP, SHT MET
3	<a href="#">110-3454</a>	SCREW, 4-40, .5, PHT, PH, CS, ZP
4	<a href="#">120-0341</a>	WASHER, #10 FLAT SAE
5	<a href="#">140-3115</a>	<b>*OBSOLETE*</b>
6	<a href="#">140-3233</a>	CLAMP, SELF CLOSING, .25"
7	<a href="#">440-0274</a>	MAGNET, CADENCE, SPIN COMP
8	<a href="#">715-3780</a>	CABLE, USER DETECT, SENSOR

---

Parts are subject to availability. Part pricing may change with or without notice.  
Check the Star Trac Support Website <http://support.startrac.com> for current part pricing.

October 22, 2009